

Finest Swiss Made solutions... worldwide! +

POLYTRON
DISPERSING AND MIXING TECHNOLOGY BY KINEMATICA

POLYMIX
DISPERSING AND MIXING TECHNOLOGY BY KINEMATICA

MEGATRON
DISPERSING AND MIXING TECHNOLOGY BY KINEMATICA

REACTRON
DISPERSING AND MIXING TECHNOLOGY BY KINEMATICA

Homogenizing and
Dispersing Technology

for

Laboratory &
Pilot Plant

HOMOGENIZING

EMULSIFYING

SUSPENDING

WET MILLING

MIXING

DRY MILLING

FOAM PRODUCTION

POWDER INTRODUCTION



KINEMATICA.CH

Dispersing and Mixing Technology

www.kinematica.ch

The Rotor / Stator principle for dispersing and homogenizing equipment, originally invented by KINEMATICA, has become the worldwide accepted standard for homogenizing and dispersing a solid, liquid or gaseous phase into a liquid phase.

KINEMATICA Rotor / Stator Homogenizers successfully process emulsions, suspensions and foams by reducing the size of solid particles, droplets and gas bubbles to a few microns or less. Small and large amounts of product are dispersed in a more economical, faster and better way than with any other device.

What sets KINEMATICA apart:





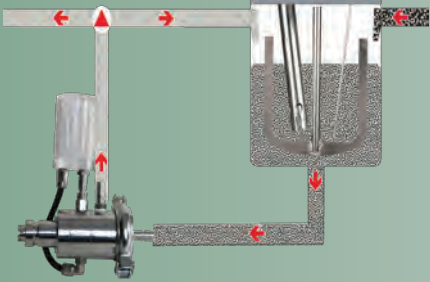





- Extra customer value by professional advice - over 40 years of application knowledge and quality - ISO 9001 certified
- Continuous improvements in the dispersing technology
- Cooperational work with scientists from Switzerland, Austria, Germany, China, Japan and USA for specific applications
- Excellent quality solutions for dispersing applications in the chemical, biochemical, pharmaceutical, cosmetic and food industry
- Leading specialist and manufacturer for homogenizers from lab to pilot plant and production with volumes from 0.1 ml up to 10'000 l and through puts from 10 l/min up to 150'000 l/h
- Results from the lab can be scaled up to pilot plant and production
- Equipment is built 100% to customer and product specifications including IQ and OQ

KINEMATICA offers complete processing systems to customer and product specifications including premix vessels, piping, pumps, stirrers, processing tanks and electronic regulators. The advantage is to get a whole plant out from one source and ready to use. All components will be well suited to customer's demands.

The solution for your homogenizing, dispersing, emulsifying, suspending, size reduction, wet milling, powder introduction and foam producing application is offered by **KINEMATICA**.

For further information, a quotation or a personal demonstration please contact with us or fill-in our applications questionnaire on the web and send it back to us. Our staff will be glad to assist you.



<p>POLYTRON® DISPERSING AND MIXING TECHNOLOGY BY KINEMATICA SERIES PT</p>	<p>for batch emulsions / suspensions</p>			<ul style="list-style-type: none"> • Dispensing of smallest amounts of plant, animal or human tissues in liquid e.g. for RNA extraction • Sample preparation • Wet milling and dispersing of solids, fibers, stringy materials, tissues, cells into fluids and polymers • Extractions • Breaking up of tablets for QC • and more 	<p>Page 3 - 6</p>
<p>MEGATRON® DISPERSING AND MIXING TECHNOLOGY BY KINEMATICA SERIES MT (-V/-VP/-FM)</p>	<p>for finest in-line emulsions / suspensions / dispersions</p>			<ul style="list-style-type: none"> • Dispensing and mixing of coarse solids into liquid • Producing of finet emulsions and suspensions with finest droplet and particle sizes • Intensive Mixing • Gassing of fluids • Special versions for foam production (MT-FM) • Special versions for powder introduction (MT-VP) • and more 	<p>7 - 8</p>
<p>REACTRON® DISPERSING AND MIXING TECHNOLOGY BY KINEMATICA SERIES RT</p>	<p>complete dispersing systems</p>			<ul style="list-style-type: none"> • Producing of creams, lotions, emulsions • Pharmaceutical or cosmetic products • Wet milling and dispersing of solids, fibers, stringy materials, tissues, cells into fluids and polymers • Extracting of enzymes from bio masses • and more 	<p>8</p>
<p>POLY MIX® DISPERSING AND MIXING TECHNOLOGY BY KINEMATICA SERIES PX (-SR/-MFC)</p>	<p>for mixing and stirring for dry milling</p>			<ul style="list-style-type: none"> • Basic stirring and mixing tasks in the lab (PX-SR) • and more • Dry milling / grinding of dried, non-fatty, hard and brittle (cereals, beans, bones, stone,..) or stringy and ductile (wood, straw, fibres,..) products (PX-MFC) • and more 	<p>9 - 10</p>
<p>MICROTRON® DISPERSING AND MIXING TECHNOLOGY BY KINEMATICA SERIES MB</p>	<p>for mixing and homogenizing</p>			<ul style="list-style-type: none"> • Mixing, dispersing, homogenizing, emulsifying and size reduction of cuttable materials • and more 	<p>10</p>

POLYTRON® batch homogenizer for the lab and pilot plant cover working volumes from about 0.1 ml up to about 50 liters. Simple models up to electronically controlled drive systems with computer interfaces are available and handle reliable different dispersing tasks.

The batch homogenizers are classified into lab handheld, small, medium and large benchtop units and pilot plant versions.

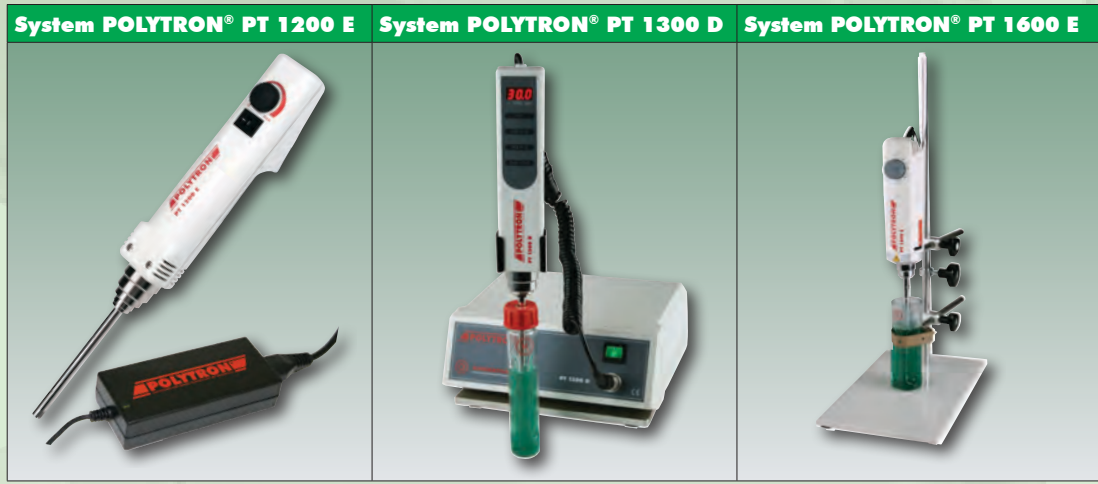
All POLYTRON® homogenizers convince with the following features:

- Quick coupling for the dispersing aggregates
- Powerful and safe drive systems
- High speed levels / extreme high tip speeds
- Intelligent regulations and / or controllers
- Digital displays or readable scales
- Long working life

From over 40 different and exchangeable POLYTRON® dispersing aggregates the optimum for each specific homogenizing application can be chosen.

The efficiency of POLYTRON® dispersing aggregates has been unrivalled until now. Thanks to optimized shear forces and bounce effects the processed medium will be treated at finest level in shortest time.

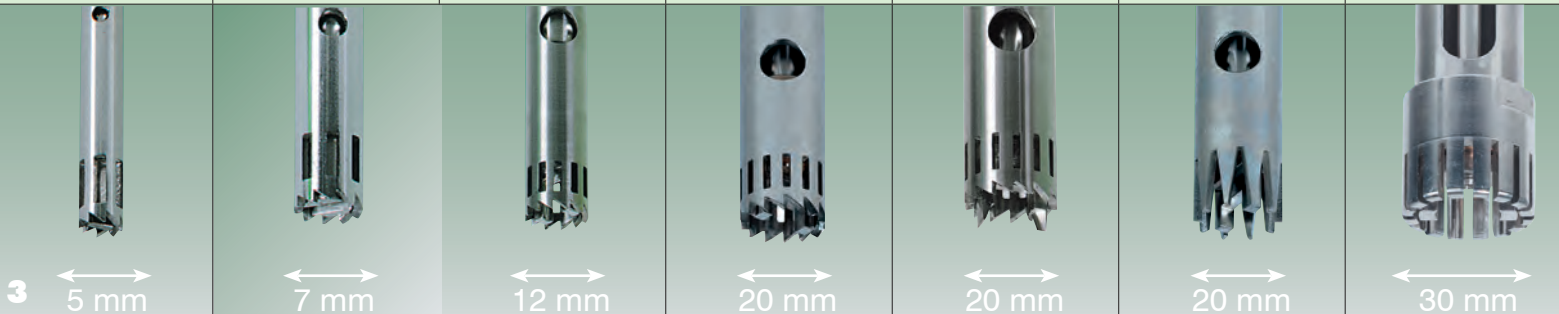
POLYTRON® dispersing aggregates with EC design (standard) can be disassembled with effortless ease, are easily cleaned and can be sterilised / autoclaved according to all current methods.



Model / Series	for volumes up to	speed max.	Power	Ø generator	standard Shaft length	Further Description, Options (see below)
PT 1200 E	0.1 - 250 ml	28'000 rpm	100 W	3 - 12 mm	50 - 123 mm	1,9,11,14
PT 1300 D	0.1 - 250 ml	30'000 rpm	100 W	3 - 12 mm	50 - 123 mm	1,7,8,9,11,14
PT 1600 E	0.1 - 2000 ml	30'000 rpm	350 W	3 - 20 mm	50 - 157 mm	2,9,11,14
PT 2100	0.1 - 2000 ml	30'000 rpm	500 W	5 - 20 mm	66 - 178 mm	2,9,11,13,14
PT 4000	0.1 - 2000 ml	40'000 rpm	500 W	3 - 25 mm	50 - 170 mm	2,7,8,9,11,14
PT 10-35 GT	0.1 - 10'000 ml	30'000 rpm	1200 W	5 - 36 mm	78 - 250 mm	3,10,11,13,14
PT 3100 D	0.1 - 10'000 ml	30'000 rpm	1200 W	5 - 36 mm	78 - 250 mm	3,7,8,10,11,13,14
PT 6100	up to 30 l	24'000 rpm	1700 W	36-60 mm	250 mm	4,(7),8,10(B),11,13,14
PT 7100	up to 40 l	12'000 rpm	1.5 kW	36-60 mm	400 mm	5,7,8,10,11,13,14
PT-D 36-60 (EX)	up to 50 l	12'000 rpm	up to 3.0 kW	36-60 mm	400 mm	5,6,8,10,11,12,13,14

Further Descriptions / Options		
1	Handheld Homogenizer Lab	8 Digital display
2	Benchtop Homogenizer Lab „small“	9 Quick Coupling type E for Dispersing Aggregates
3	Benchtop Homogenizer Lab „medium“	10 Quick Coupling type F for Dispersing Aggregates (also Dispersing Aggregates with coupling type B can be connected)
4	Benchtop Homogenizer Lab „large“	11 Dispersing aggregate in EC design; easily disassembled and cleaned or sterilized
5	Pilot Plant Batch Homogenizer	12 Dispersing aggregates / shafts available as C (PT-C series) design for CIP
6	ATEX versions available (standard II2G-T3 - Zone 1)	13 Dispersing aggregates available with mechanical seal systems for pressure and/or vacuum applications
7	PC connection and User Interface Software available	14 Special shaft lengths possible

POLYTRON® Generator (PTG)						
PTG 5/2	PTG 7/2	PTG 12/2	PTG 20/2	PTG 20/2M	PTG 20/2W	PTG 30/2Z
standard generator rotor/stator with one teeth row each	standard generator rotor/stator with one teeth row each	standard generator rotor/stator with one teeth row each	standard generator rotor/stator with one teeth row each	special M-Generator Rotor with knives rotor/stator with one teeth row each	special W-Generator rotor/stator with one teeth row each	special Z-Generator rotor/stator with one teeth row each
Maximum Tip Speed 6 m/s	8 m/s	14 m/s	21 m/s	21 m/s	21 m/s	34 m/s
Working volume 0.1 - 5 ml	0.3 - 10 ml	3 - 250 ml	20 - 2000 ml	20 - 2000 ml	20 - 2000 ml	100 - 4000 ml
Applications • Dispersing of smallest plant, human or animal pieces • Dissolving of solids • Extractions	• Dispersing of cells and tissues in a small amount of liquid • Dissolving of solids • Extractions	• Dispersing of plant, human or animal tissues, resins and pigments • Dissolving of solids • Extractions • Producing of suspensions and emulsions	• Dispersing of plant, human or animal tissues, resins and pigments • Dissolving of solids • Extractions • Producing of suspensions and emulsions	• Dispersing and mixing of particles up to 10 mm in size • Sample preparation for extraction and solution of organic material • Intensives mixing • Rotor with knives facilitate the processing of larger cell tissue samples or particles	• Dispersing of fibrous, stringy and brittle samples (e.g. flesh)	• Breaking open and dispersing of pills, capsules and hard large grains



System POLYTRON® PT 2100

System POLYTRON® PT 4000

System POLYTRON® PT 10-35 GT

System POLYTRON® PT 3100 D

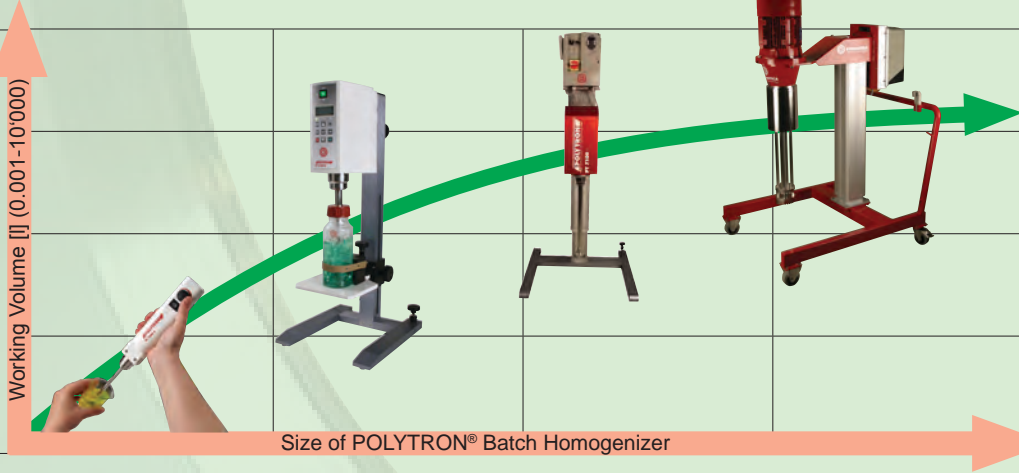


User Software

- Suitable for PC's using MS-Windows 98, ME, 2000, XP, (Vista)
- Possibility of data logging into MS-Excel-sheets for every parameter
- Free programmable Speed-Time-Profiles for automatic operation
- Free programmable temperature limits for use as stopping criteria for avoiding overheating of the product
- Graphical parameter visualization in time-based diagram
- Written parameter visualization in text boxes
- Drive health and status is displayed
- Available for PT 3100 D (soon: PT 1300 D, PT 4000, PT 7100, MT 3000, MT 5100)

Scale-Up

- KINEMATICA offers a complete series of batch working homogenizers suitable for volumes from 0.1 ml up to 10'000 liters.
- The test results obtained with the lab units can be used as a reliable data source for a scale-up step to the larger POLYTRON® pilot plant and production machines.



PTG 30/4TIN	PTG 36/2	PTG 36/2W	PTG 36/4	PTG 36/4G	BAG 36	PTG 40/2
<ul style="list-style-type: none"> • Special generator titan-nitrated • Rotor/stator with two teeth rows each 	<ul style="list-style-type: none"> • Standard generator • Rotor/stator with one teeth row each 	<ul style="list-style-type: none"> • Special W-Generator • Rotor/stator with one teeth row each 	<ul style="list-style-type: none"> • Standard generator • Rotor/stator with two teeth rows each 	<ul style="list-style-type: none"> • Special G-Generator with mechanical seal • Rotor/stator with three teeth rows each 	<ul style="list-style-type: none"> • BIOTRONA® Generator • Blade rotor and stator with inclined slots 	<ul style="list-style-type: none"> • Standard generator • Rotor/stator with one teeth row each
34 m/s	34 m/s	34 m/s	34 m/s	34 m/s	34 m/s	36 m/s
200 - 4000 ml	200 - 4000 ml	200 - 4000 ml	100 - 2500 ml	100 - 2500 ml	500 - 10'000 ml	200 - 5000 ml
<ul style="list-style-type: none"> • Making fine emulsions and suspensions • Mixes and reduces highly intensive solids into fluids • Gasses solutions • Separates fibres and cellular material into very small particles • Extraktionen • Applications with abrasive components 	<ul style="list-style-type: none"> • Dispersing and mixing of particles up to 15 mm in size • Sample preparation for extraction and solution of organic material • Intensives mixing 	<ul style="list-style-type: none"> • Dispersing of fibrous, stringy and brittle samples (e.g. flesh) 	<ul style="list-style-type: none"> • Making fine emulsions and suspensions • Mixes and reduces highly intensive solids into fluids • Gasses solutions • Separates fibres and cellular material into very small particles • Extraktionen 	<ul style="list-style-type: none"> • Working under pressure / vacuum • Making finest emulsions and suspensions • Mixes and reduces highly intensive solids into fluids • Gasses solutions • Separates fibres and cellular material into very small particles • Extraktionen • Prevents foam built-up 	<ul style="list-style-type: none"> • High turbulent mixing with low shear forces • Fast dissolving and suspending of solids also at higher viscosity 	<ul style="list-style-type: none"> • Dispersing and mixing of particles up to 20 mm in size • Sample preparation for extraction and solution of organic material • Intensives mixing





The choice of the right dispersing aggregate and the right drive system depends on the application: treated medium, viscosity, processing time, volume, etc. KINEMATICA don't leave you alone with these difficult questions. Our applications team would like to discuss with you the right system components for succesful working in accordance to a filled-in questionnaire or a test run in our laboratory.

A short overview about available dispersing aggregates and systems shall give you a first information.

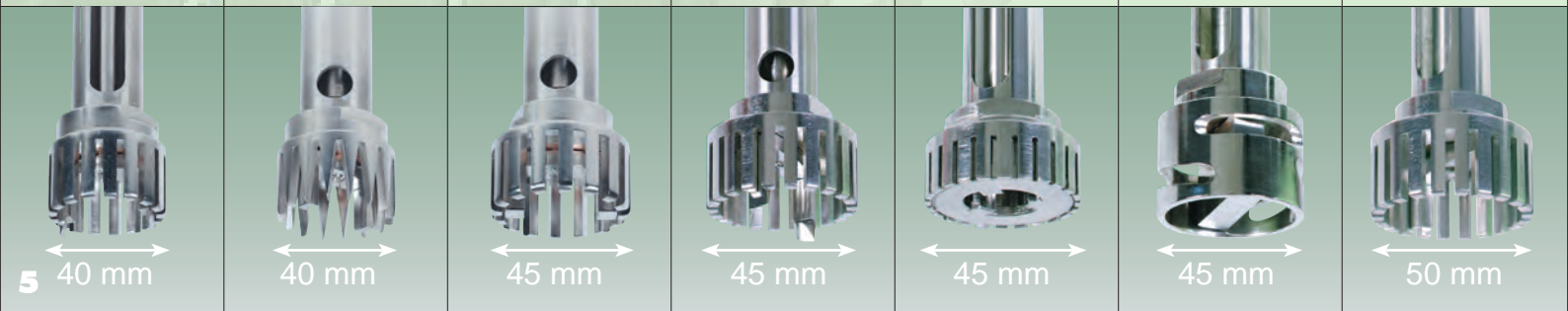
Aggregate	Ø 3 mm	Ø 5 mm	Ø 7 mm	Ø 12 mm	Ø 20 mm	Ø 25 mm	Ø 30 mm	Ø 36 mm	Ø 40 mm	Ø 45 mm	Ø 50 mm	Ø 60 mm
PT 1200 E	+++	+++	+++	++								
PT 1300 D	+++	+++	+++	++								
PT 1600 E	+	++	+++	+++		+						
PT 2100	-	++	++	+++	+++							
PT 4000	-	++	++	+++	+++	+++						
PT 10-35 GT	-	+	++	+++	+++	-	+++	++				
PT 3100 D	-	+	++	+++	+++	-	+++	++				
PT 6100	-	+	+	+	++	-	+++	+++	+++	++	++	+
PT 7100	-	+	+	+	+	-	++	+++	+++	+++	+++	++
PT-D 36-60 (EX)	-	+	+	+	+	-	+	++	+++	+++	+++	+++

+ limited adapted ++ well adapted +++ very well adapted - not available

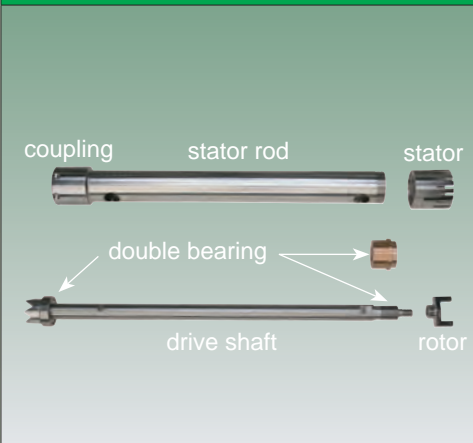
Which aggregates are available for my drive system?

Which designs are available for my dispersing aggregate?

POLYTRON® Generator PTG	PTG 40/2M	PTG 40/2W	PTG 45/2	PTG 45/2M	PTG 45/6	BAG 45	PTG 50/2
	<ul style="list-style-type: none"> Special M-Generator Rotor with knives Rotor/stator with one teeth row each 	<ul style="list-style-type: none"> Special W-Generator Rotor/stator with one teeth row each 	<ul style="list-style-type: none"> Standard generator Rotor/stator with one teeth row each 	<ul style="list-style-type: none"> Special M-Generator Rotor with knives Rotor/stator with one teeth row each 	<ul style="list-style-type: none"> Standard generator Rotor/stator with three teeth rows each 	<ul style="list-style-type: none"> BIOTRONA® Generator Blade rotor and stator with inclined slots 	<ul style="list-style-type: none"> Standard generator Rotor/stator with one teeth row each
Maximum Tip Speed 36 m/s	36 m/s	36 m/s	40 m/s	40 m/s	40 m/s	40 m/s	44 m/s
Working volume 200 - 4000 ml	200 - 5000 ml	200 - 5000 ml	200 - 6000 ml	200 - 6000 ml	200 - 4000 ml	1000 - 15 000 ml	300 - 10 000 ml
Applications	<ul style="list-style-type: none"> Dispersing and mixing of particles up to 20 mm in size Sample preparation for extraction and solution of organic material Intensives mixing Rotor with knives facilitate the processing of larger cell tissue samples or particles 	<ul style="list-style-type: none"> Dispersing of fibrous, stringy and brittle samples (e.g. flesh) 	<ul style="list-style-type: none"> Dispersing and mixing of particles up to 22 mm in size Sample preparation for extraction and solution of organic material Intensives mixing 	<ul style="list-style-type: none"> Dispersing and mixing of particles up to 22 mm in size Sample preparation for extraction and solution of organic material Intensives mixing Rotor with knives facilitate the processing of larger cell tissue samples or particles 	<ul style="list-style-type: none"> Making finest emulsions and suspensions Mixes and reduces highly intensive solids into fluids Gasses solutions Separates fibres and cellular material into very small particles Extraktions 	<ul style="list-style-type: none"> High turbulent mixing with low shear forces Fast dissolving and suspending of solids also at higher viscosity 	<ul style="list-style-type: none"> Dispersing and mixing of particles up to 25 mm in size Sample preparation for extraction and solution of organic material Intensives mixing



POLYTRON® Dispersing Aggregates Safe and Fast Quick Couplings The right Dispersing Vessel



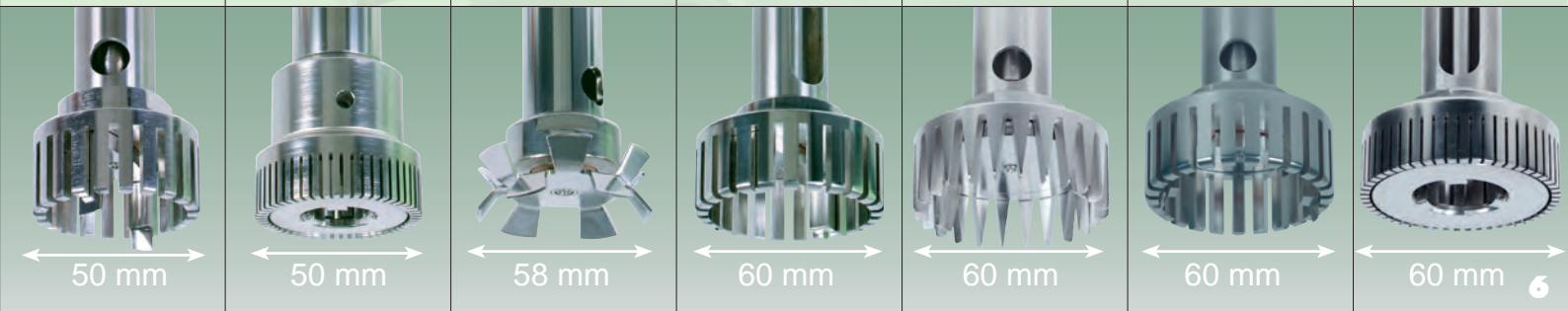
Aggregates Design „Stator tube“	Ø 3 mm	Ø 5 mm	Ø 7 mm	Ø 12 mm	Ø 20 mm	Ø 25 mm	Ø 30 mm	Ø 36 mm	Ø 40 mm	Ø 45 mm	Ø 50 mm	Ø 60 mm
Slotted				+	+	+	+	+	+	+	+	+
EC (Standard)	+	+	+	+	+	+	+	+	+	+	+	+
G					+	+	+	+	+	+	+	+
T				+	+	+	+	+	+	+	+	+

Aggregates Design „R/S-Head“	Ø 3 mm	Ø 5 mm	Ø 7 mm	Ø 12 mm	Ø 20 mm	Ø 25 mm	Ø 30 mm	Ø 36 mm	Ø 40 mm	Ø 45 mm	Ø 50 mm	Ø 60 mm
..2 (R/S with 1TR each)	+	+	+	+	+	+	+	+	+	+	+	+
..4 (R/S with 2TR each)							+	+	+	+	+	+
..6 (R/S with 3TR each)										+	+	+
M Rotor				+	+	+	+	+	+	+	+	+
W Stator				+	+	+	+	+	+	+	+	+
Z Stator							+					
BIOTRONA®								+		+		

+ equipable, TR = teeth row(s), R/S = rotor/stator (= dispersing generator)

- EC-Design** Easy-Clean, easy disassembled, easy cleaned or sterilized
- T-Design** Prevents additional air introduction
- G-Design** Pressure, vacuum, anti-foam, with mechanical seal
- M-Generator** Rotor with knives for precutting
- W-Generator** For fibrous and stringy material
- Z-Generator** For hard and brittle material
- BIOTRONA®** High turbulences, low shear forces

PTG 50/2M	PTG 50/6G	PTG 58 DI	PTG 60/2	PTG 60/2W	PTG 60/2M	PTG 60/6
<ul style="list-style-type: none"> Special M-Generator Rotor with knives Rotor/stator with one teeth row each 	<ul style="list-style-type: none"> Special G-Generator with mechanical seal Rotor/stator with three teeth rows each 	<ul style="list-style-type: none"> Special dissolver disk 	<ul style="list-style-type: none"> Standard generator Rotor/stator with one teeth row each 	<ul style="list-style-type: none"> Special W-Generator Rotor/stator with one teeth row each 	<ul style="list-style-type: none"> Special M-Generator Rotor with knives Rotor/stator with one teeth row each 	<ul style="list-style-type: none"> Standard generator Rotor/stator with three teeth rows each
44 m/s	44 m/s	47 m/s	50 m/s	50 m/s	50 m/s	50 m/s
300 - 10 000 ml	300 - 4000 ml	1000 - 40 000 ml	200 - 4000 ml	1000 - 30 000 ml	1000 - 30 000 ml	1000 - 20 000 ml
<ul style="list-style-type: none"> Dispersing and mixing of particles up to 25 mm in size Sample preparation for extraction and solution of organic material Intensives mixing Rotor with knives facilitate the processing of larger cell tissue samples or particles 	<ul style="list-style-type: none"> Working under pressure / vacuum Making finest emulsions and suspensions Mixes and reduces highly intensive solids into fluids Gasses solutions Separates fibres and cellular material into very small particles Extraktions Prevents foam built-up 	<ul style="list-style-type: none"> Fast mixing and homogenizing of solid material into fluid by means of a dissolving disk Preparing highly viscous products 	<ul style="list-style-type: none"> Dispersing and mixing of particles up to 30 mm in size Sample preparation for extraction and solution of organic material Intensives mixing 	<ul style="list-style-type: none"> Dispersing of fibrous, stringy and brittle samples (e.g. flesh) 	<ul style="list-style-type: none"> Dispersing and mixing of particles up to 30 mm in size Sample preparation for extraction and solution of organic material Intensives mixing Rotor with knives facilitate the processing of larger cell tissue samples or particles 	<ul style="list-style-type: none"> Making finest emulsions and suspensions Mixes and reduces highly intensive solids into fluids Gasses solutions Separates fibres and cellular material into very small particles Extraktions

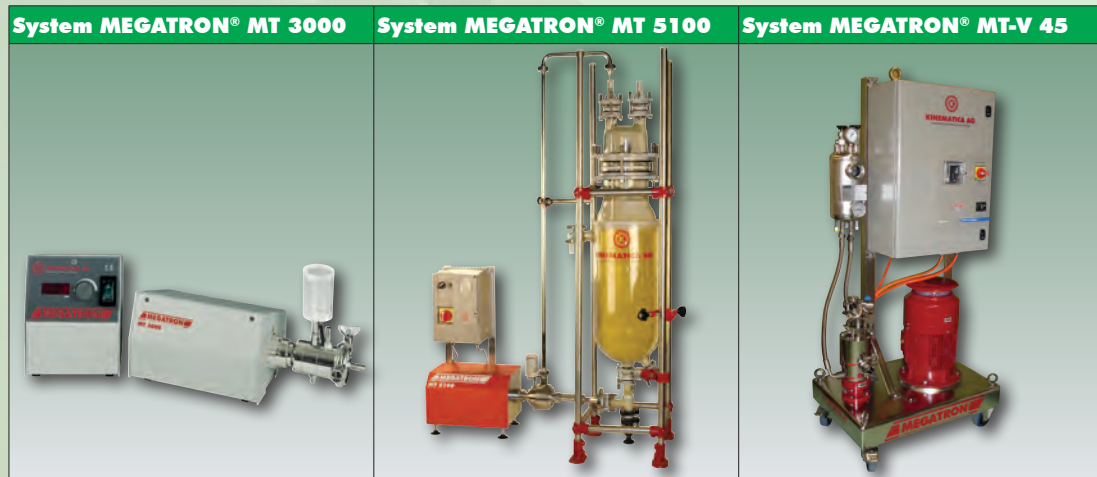


With the type series MEGATRON® MT and MEGATRON® MT-V KINEMATICA has set standards once more for the in-line homogenizing technology regarding efficiency, safe operation and long working life of the machinery for a broad application area within almost every industry field.

The MEGATRON® family can be divided into three branches with high, medium and low shear rates. With decades of experience KINEMATICA can be your reliable partner and advisor on choosing the right level of shear rate for your application and product.

In-line homogenizer for pilot plant and production:

- Throughputs from 50 l/h up to approx. 150'000 l/h
- High speed levels and tip speeds up to approx. 50 m/s
- Adjustable drive systems with power levels between approx. 0.8 kW and 110 kW
- Dispersing generators with rotor diameters between 15 mm and 300 mm; with fineness steps from coarse to medium to fine to super fine for reaching particle sizes within the lowest micrometer range respective the upper nano meter range depending on the properties of the treated products
- Vertically or horizontally installed single- or multi-staged working chambers
- Single or double acting mechanical sealing systems including supply systems
- Sterile versions, as well as CIP / SIP, 3A and ATEX versions can be supplied
- Product wetted parts made from high-alloyed stainless steel and sealing materials conform with the product



Model / Series	throughput	tip speed max.	rotor speed	Rotor-Ø	Disp. Generator Stages	Power
MT 3000	40 l/min	35 m/s	30'000 rpm	15 - 26 mm	1	0.8 kW
MT 5100	75 l/min	37 m/s	21'000 rpm	30 - 40 mm	1	2.0 kW
MT-V 45 (EX)	40 l/min	41 m/s	12'000 rpm	45 mm	1, 2 or 3	up to 4.0 kW

Foam Production

Model / Series	Drive Power	Rotor-Ø	Teeth rows/ stages 2er/6er	Throughput l/h liquid
MT-FM 30	1.5 kW	30 mm	8/5	10
MT-FM 50	4.0 kW	50 mm	12/8	40

The market of foamed products in the field of chemistry, pharma and food has heavily increased over the last few years. This not least because through the foaming process various product features can be adapted easier to modern trends and the quality and life time has considerably increased.

In collaboration with ETH Zürich KINEMATICA has brought to the market a new generation of foam processors with the series of MEGATRON FM.

The striking feature of this series is the generation of smallest micro bubbles in the scale of 5 - 10 µm and its narrow distribution due to a brandnew rotor stator geometry.

The extremely effective foam processor MEGATRON FM works constantly and is available in different versions for laboratory and pilot plant size for product and recipe development with a few liters throughput and in various sizes/performances for the production up to several 1000 liters throughput considering different working and environmental conditions.

We are happy to provide you with professional advice and to offer you all desirable accessories e.g. metering pumps with premixing container and mixer, cooling aggregate, process control. Some typical applications in food are: foamed protein, foamed milk products, foamed ice cream, mousse-products, foamed confectionary, bread pastries and foamed filling products.



MEGATRON® Generator MTG	Type MTG 20/2 generator	Type MTG 30/2 generator	Type MTG 30/4 generator	Type MTG 36/2 generator
<ul style="list-style-type: none"> • Standard modell, available for system MT 3000 • Rotor/stator with one teeth row each 	<ul style="list-style-type: none"> • Standard modell, available for system MT 3000 • Rotor/stator with one teeth row each 	<ul style="list-style-type: none"> • Standard modell, available for system MT 3000 • Rotor/stator with two teeth rows each 	<ul style="list-style-type: none"> • Standard modell, available for systems MT 5100 • Rotor/stator with one teeth row each 	
Maximum Tip Speed 25 m/s	35 m/s	34 m/s	32 m/s	
Throughput up to 20 l/min (depends on the medium)	up to 40 l/min (depends on the medium)	up to 30 l/min (depends on the medium)	up to 55 l/min (depends on the medium)	
Applications <ul style="list-style-type: none"> • Dispersing and mixing of particles in liquid • Suspending, crushing, wet milling, extracting • Preparing of samples for extraction and decomposition of organic material • Intensives mixing 	<ul style="list-style-type: none"> • Dispersing and mixing of particles in liquid • Suspending, crushing, wet milling, extracting • Preparing of samples for extraction and decomposition of organic material • Intensives mixing 	<ul style="list-style-type: none"> • Making fine suspensions and emulsions • Dissolving of solids • Gasses solutions • Separates fibres and cellular material into very small particles • Extractions • Wet milling of solids 	<ul style="list-style-type: none"> • Dispersing and mixing of coarse solids into liquid • Size reduction of coarse solids in liquid • Extractions • Mixing of fluids • Crushing of lumps • Intensive mixing 	



KINEMATICA offers also a range of complete homogenizing and mixing plants for different applications in the chemical, pharmaceutical, cosmetic and food industry - known under the brand name **REACTRON®**.

REACTRON® systems are designed to customer specifications and consist normally of the following components: processing tank with **POLYMIX®** stirring system for macro mixing, **POLYTRON® / MEGATRON®** homogenizing system for down sizing and micro mixing, piping, process control and further specific equipment like vacuum pumps, heating / cooling thermostates in accordance with the customer, the product and the process.

REACTRON® systems are available for batch and semi-batch operation with volumes starting with 1 liter up to several 100 liters. They can be designed and manufactured according to customer and application specifications, incl. pressure / vacuum, CIP / SIP, clean room design and ATEX regulations.

Some application examples:

- Producing of creams, lotions, emulsions
- Pharmaceutical or cosmetic products
- Dispersing of fine solids into a liquid or molten phase
- Suspending of additives and solid polymers in mineral oils
- Wet milling and dispersing of solids, fibers, stringy materials, tissues, cells into fluids and polymers
- Producing of dairy products and diet food
- Polymerisations
- Extracting of enzymes from bio masses
- *and more*

System REACTRON® RT 2



System REACTRON® RT 15



System REACTRON® RT 40



Powder Introduction

Model / Series	Drive Power	Rotor-Ø	Throughput l/h liquid	Suction capacity kg/h
MT-VP 45	up to 4.0 kW	45 mm	1000	70
MT-VP 65	up to 11.0 kW	65 mm	3000	200

After several years of development KINEMATICA succeeded in introducing to the market an extremely efficient powder dispersing machine with the series MEGATRON MT-VP.

Advantages of the newly developed system are above all, that due to a strongly improved suction capacity unwanted lumps can be avoided during powder sucking and wetting. This averts, for one thing, a plugging of the powder supply line and improves at the same time the homogeneous dispersing.

The generated high vacuum with a simultaneous high suction capacity is substantially independent of the liquid throughput and to a certain extent, also independent of the pressure at the outlet. This grants a dust-free incorporation into the liquid. It has been shown that the generatable suction capacity is sufficiently high that heavy powders, e.g. metal containing powders, can also be sucked in.

The new MEGATRON MT-VP powder dispersing machine with its convective powder wetting system and a wide range of various dispersing generators substantially increases the number of application in the field of chemistry, pharma and food.

The series includes at present various sizes with a throughput related to water and depending on the dispersing generator used from approx. 1'000 l/h to 80'000 l/h.



Type MTG 30/4F generator	Type MTG 40/2G generator	Type MTG 40/4M generator	Type MTG 40/6F generator	Type MTG 40/6FV generator
<ul style="list-style-type: none"> • Standard modell, available for systems MT 5100 • Rotor/stator with two teeth rows each 	<ul style="list-style-type: none"> • Standard modell, available for systems MT 5100 • Rotor/stator with one teeth row each 	<ul style="list-style-type: none"> • Standard modell, available for systems MT 5100 • Rotor/stator with two teeth rows each 	<ul style="list-style-type: none"> • Standard modell, available for systems MT 5100 • Rotor/stator with three teeth rows each 	<ul style="list-style-type: none"> • Special modell, available for systems MT 5100 • Rotor/stator with three teeth rows each
34 m/s	35 m/s	37 m/s	37 m/s	35 m/s
up to 47 l/min (depends on the medium)	up to 75 l/min (depends on the medium)	up to 53 l/min (depends on the medium)	up to 45 l/min (depends on the medium)	up to 47 l/min (depends on the medium)
<ul style="list-style-type: none"> • Producing of emulsions and suspensions with medium droplet and particle sizes • Wet milling of solids up to medium particle sizes • Extractions • Accelerating of reactions • Crushing of lumps • Intensive mixing 	<ul style="list-style-type: none"> • Dispersing and mixing of coarse solids into liquid • Size reduction of coarse solids in liquid • Extractions • Mixing of fluids • Crushing of lumps • Intensive mixing 	<ul style="list-style-type: none"> • Producing of emulsions and suspensions with medium droplet and particle sizes • Wet milling of solids up to medium particle sizes • Extractions • Accelerating of reactions • Crushing of lumps • Intensive mixing 	<ul style="list-style-type: none"> • Producing of emulsions and suspensions with fine droplet and particle sizes • Wet milling of fine solids • Extractions • Accelerating of reactions • Gassing of fluids • De-agglomerations • Cell disruption 	<ul style="list-style-type: none"> • Producing of finest emulsions with finest droplet sizes • Gassing of fluids • De-agglomerations • Extractions • Cell disruption



The lab stirrers POLYMIX® PX-SR 50 E and PX-SR 90 D are suitable for different mixing and stirring tasks in the lab thanks to powerful drive units with high torque and stepless speed regulation.

In addition the PX-SR 90 D is designed with a digital regulation with LED display and a changer for the rotating direction.

The stirrers can be equipped with different stirring tools like propeller stirrer, turbine stirrer, anchor stirrer, flat stirrer, dissolver, potter, etc.

The new lab mill POLYMIX® PX-MFC 90 D with exchangeable milling attachments and sieves with mesh sizes from 0.2 to 6 mm is suitable for all dry milling applications in the lab. Thanks to the powerful drive unit with LED display and high speed level the mill can process dried, non-fatty, hard and brittle products such as Cereals, corn, roasted coffee, beans, bones, stone, mortar, etc., as well as dried, non-fatty, stringy and ductile products such as Wood, leaves, straw, dried degreased meat, wool, cotton, paper, synthetic materials, etc.

The systems MICROTRON® MB 550 and MB 800 are specially designed for mixing, dispersing, homogenizing, emulsifying and size reduction of cuttable materials. The MB 550 is available with different attachments made from glass for volumes between 125 and 1000 ml. The MB 800 is available with mixing attachments made from stainless steel with volumes of 2 l and 4 l. The systems MB 550 and MB 800 are safety laboratory devices – grounded, double safety isolated, radio screened. A safety system prevents uncontrolled starting and therewith personal injuries.



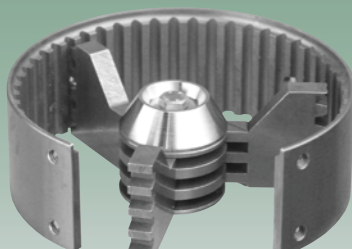
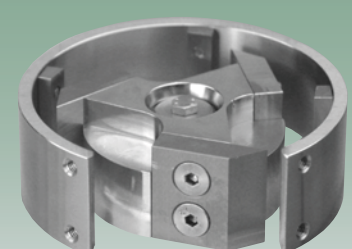
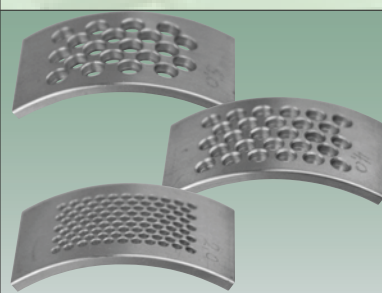

Model / Series	for volumes	speed max.	Power	Further Description, Options
POLYMIX® Lab Stirrers				
PX-SR 50 E	up to 20 l	1'500 rpm	115 W	<ul style="list-style-type: none"> • Stepless speed regulation, speed scale • High torque, up to 40 Ncm • Viscosities up to 15'000 mPas • High operating safety, CE mark • Power-on time 100%, overloadable • Low noise level, max. 55 dB(A) w/o load
PX-SR 90 D	up to 25 l	2'000 rpm	88 W	<ul style="list-style-type: none"> • Constant speed through digital regulation • Stepless speed regulation, LED display • High torque, up to 35 Ncm • Viscosities up to 15'000 mPas • High operating safety, CE mark • Power-on time 100%, overload indication • Low noise level, max. 65 dB(A) w/o load • Rotational direction selectable
POLYMIX® Lab Grinding Mills				
PX-MFC 90 D	300 ml (funnel)	6'000 rpm	1000 W	<ul style="list-style-type: none"> • High power model (1.0 kW, 3-phase motor) • Low noise level, <70 dB(A) w/o load • Integrated speed control with LED for speed indication and status messages • Integrated overheating, overload and blocking protection • Safety switch for automatic-Off, energy saving through automatic Standby-Mode • Base frame made from anodised aluminium with integrated handle

POLYMIX® Stirrers						
Propeller stirrer	Turbine stirrer	Dissolver	Centrifugal stirrer	Flat stirrer	Anchor stirrer	Potter
standard stirrer available with 3 or 4 blades, Ø 45 - 100 mm, for PX-SR 50 E / PX-SR 90 D	standard stirrer, Ø 30 mm for PX-SR 50 E / PX-SR 90 D	standard stirrer, Ø 80 mm for PX-SR 50 E / PX-SR 90 D	standard stirrer, Ø 60/15 mm for PX-SR 50 E / PX-SR 90 D	standard stirrer, Ø 70 mm for PX-SR 50 E / PX-SR 90 D	standard stirrer, Ø 45 mm for PX-SR 50 E / PX-SR 90 D	special stirrers, Ø 8-25 mm available with / without cooling jacket for PX-SR 50 E / PX-SR 90 D
Maximum Speed 2000 rpm	2000 rpm	2000 rpm	2000 rpm	1000 rpm	1000 rpm	1000 rpm
Working volume up to 25'000 ml	up to 25'000 ml	up to 25'000 ml	up to 10'000 ml	up to 10'000 ml	up to 10'000 ml	2, 5, 15 & 50 ml
Applications <ul style="list-style-type: none"> • Stirrer with 3 blades. Favourable to flow. Top-down and bottom-up suction of the fluid. Low shear forces. • Standard stirrer, 4 blades. Top-down suction of the fluid. Local shear forces. Generates axial flow in the vessel. 	<ul style="list-style-type: none"> • Top-down suction of the fluid. Generates axial flow in the vessel. Low shear forces. 	<ul style="list-style-type: none"> • Radial flow. Top-down and bottom-up suction of the fluid. High turbulences, high shear forces, particle crushing. 	<ul style="list-style-type: none"> • Two blade stirrer. Open up at increasing speed. For stirring in round bottles with small bottle neck. Acts like a propeller stirrer. 	<ul style="list-style-type: none"> • Tangential flow. Low turbulences. Good heat transfer. Sparing treatment of the product. 	<ul style="list-style-type: none"> • Tangential flow, high shear rates in the border area. Few disposal at the vessel wall. Use at low speeds. Ideal for fluids with middle to high viscosity. 	<ul style="list-style-type: none"> • Consisting of a mortar (borosilikat glass) and a pestle (PTFE). For homogenizing smallest amounts of tissue, pulping of cells and bacteria. No additional fluid necessary.





Model / Series	for volumes	speed max.	Power	Further Description, Options
POLYMIX® Lab Grinding Mills				
PX-MFC 90 D (continued)	300 ml (funnel)	6'000 rpm	1000 W	<ul style="list-style-type: none"> Milling chamber with attached funnel and rotary slide for product inlet; intercepting tubes and NS29 vessels can be attached to milling chamber outlet Milling chamber can be equipped with hammer grinding or blade grinding attachment Grinding attachments can be exchanged Milling chamber can be equipped with sieves in different mesh sizes from 0.2 up to 6 mm Milling chamber parts in contact with the product are made from stainless steel hardened Packing unit consists of drive unit with milling chamber, grinding attachment, sieve 2.0 mm and tool set
MICROTRON® Mixers				
MB 550	125 - 1'000 ml	14'000 rpm	550 W	<ul style="list-style-type: none"> 550 W high temperature safe universal motor with fan Speed variable from 600–14000 rpm, soft start, speed scale Thermal drive safety switch, electronical surveillance and stabilisation of the speed Safety regulation for attachment surveillance, grounded with extra double safety isolation, radio screened Mixing attachments made from glass available for volumes 125, 250, 500 and 1000 ml (safety huts to be ordered separately)
MB 800	2 l - 4 l	14'000 rpm	800 W	<ul style="list-style-type: none"> As above but 800 W high temperature safe universal motor with fan Mixing attachments made from stainless steel for volumes 2 and 4 liters

Hammer grinding attachment	Blade grinding attachment	Sieves	Mixing attachments
Consisting of rotor with 3 impact hammers and stator with place for one exchangeable sieve	Consisting of rotor with 3 attached blades and stator with place for one exchangeable sieve	available with mesh sizes from 0.2 mm up to 6 mm, for PX-MFC 90 D	Consisting of mixing head and vessel from glass (MB 550) or stainless steel (MB800), safety huts for MB 550 mixing attachments to be ordered separately
Maximum Speed 50 - 6'000 rpm	50 - 6'000 rpm	-	600 - 14'000 rpm
Working volume approx. 300 ml (funnel volume)	approx. 300 ml (funnel volume)	-	125, 250, 500, 1000 ml (MB550) 2000, 4000 ml (MB800)
Applications <ul style="list-style-type: none"> The impact grinding mill attachment is designed for processing dried, non-fatty, hard and brittle products such as: Cereals, corn, malt, pectin, raw & roasted coffee, beans, oats, nutshells, bones, fins (fish), gravel, stone, amber, mortar, etc. 	<ul style="list-style-type: none"> The blade grinding mill attachment is designed for processing dried, non-fatty, stringy and ductile products such as: Wood, bark, roots, leaves, straw, cork, dried fruits, dried degreased meat, adenoids, fish, feathers, leather, dermis, wool, cotton, leashes, paper, coal, turf, dried resins, synthetic materials, fibre glass, plastic pellets, different textiles, felt, etc. 	-	<ul style="list-style-type: none"> Blending Mixing Dispersing Homogenizing Emulsifying Milling of cuttable materials
			

HOMOGENIZING AND MIXING TECHNOLOGY



A wide range of products with the finest solution for every application, matched by the superior quality of all components make KINEMATICA a world leader for Dispersing and Mixing technology.

With Keen Eyes ...

Development knows no rest at KINEMATICA. Our systems are constantly upgraded to reflect the state-of-the-art technology and the needs of the market. KINEMATICA has always had a keen eye for major advances, as proven by various patents. The rotor/stator principle for dispersing technology was conceived and developed at KINEMATICA and has become the world standard.

... For Your Needs

Applications for Dispersing/Homogenizing Technology are always on the increase. KINEMATICA continually creates new areas of processing applications based on innovations. We do not neglect the human factor as exemplified by the safe and comfortable operation and noise reduction of our high-speed systems.

Please, get in touch with us, our local appointed agent or your preferred dealer. We will be pleased to supply more details or arrange a personal demonstration of our POLYTRON® and MEGATRON® systems.

Headquarters



KINEMATICA AG

Dispersing and Mixing Technology

Luzernerstrasse 147a
6014 Littau / Lucerne
Switzerland

Tel. +41-41-259 65 65
Fax +41-41-259 65 75
e-Mail info@kinematika.ch

Subsidiaries



KINEMATICA, INC.

Dispersing and Mixing Technology

1648 Locust Ave, Unit C
Bohemia, NY 11716
USA

Tel. +1-631-750-6653
Fax +1-631-750-6657
e-Mail info@kinematika-inc.com

Finest Swiss Made solutions... worldwide! +

- POLYTRON
- POLYMIX
- MEGATRON
- REACTRON

Homogenizing and Dispersing Technology

for

Laboratory & Pilot Plant

- HOMOGENIZING
- EMULSIFYING
- SUSPENDING
- WET MILLING
- MIXING
- DRY MILLING
- FOAM PRODUCTION
- POWDER INTRODUCTION



KINEMATICA.CH
Dispersing and Mixing Technology

www.kinematika.ch

Finest Swiss Made solutions... worldwide! +

- POLYTRON
- MEGATRON
- POLYMIX
- REACTRON

Homogenizing and Dispersing Technology

for

Pilot Plant & Production

- HOMOGENIZING
- EMULSIFYING
- SUSPENDING
- WET MILLING
- MIXING
- POWDER INTRODUCTION
- FOAM PRODUCTION



KINEMATICA.CH
Dispersing and Mixing Technology

www.kinematika.ch

Finest Swiss Made Solutions... worldwide! +

PT 3100 D

Digital High-End Benchtop Homogenizer with PC interface

Homogenizing and Mixing Technology for the Laboratory

- DISPERSING
- HOMOGENIZING
- EMULSIFYING
- SUSPENDING
- WET MILLING
- MIXING



KINEMATICA.CH
Dispersing and Mixing Technology

www.kinematika.ch

Finest Swiss Made solutions... worldwide! +

MT 5100

Inline Homogenizer for throughputs up to 65 l/min

Homogenizing and Mixing Technology for Pilot Plant and Small Scale Production

- DISPERSING
- HOMOGENIZING
- EMULSIFYING
- SUSPENDING
- WET MILLING



KINEMATICA.CH
Dispersing and Mixing Technology

www.kinematika.ch



Your preferred KINEMATICA Dealer / Appointed Agent:

Finest Swiss Made solutions... worldwide!

